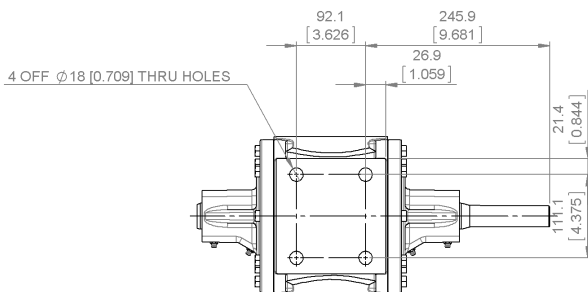
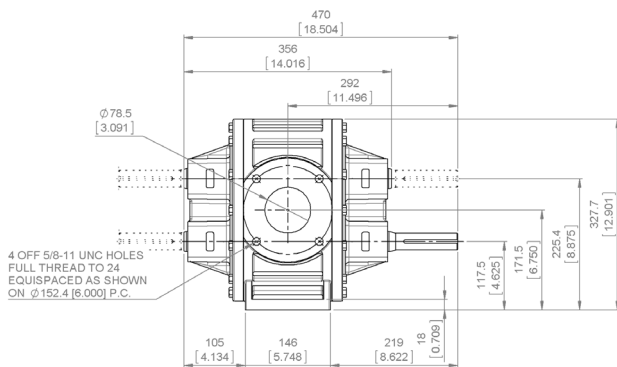


XG Gear Pump

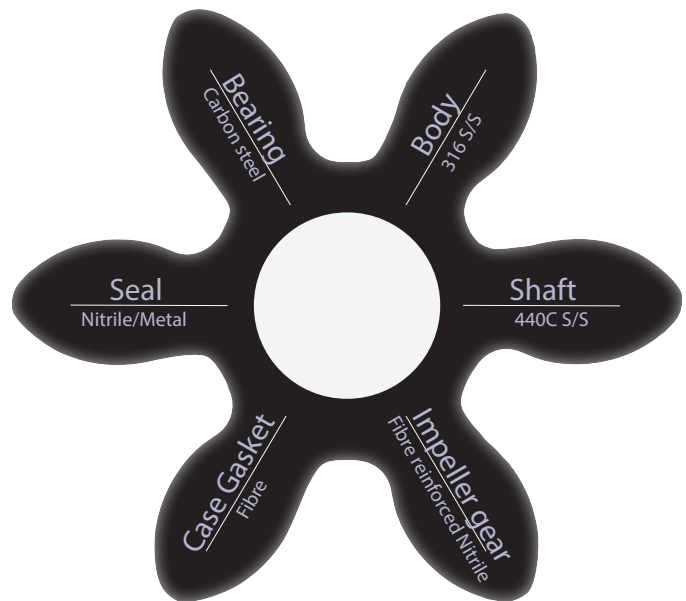
Explosives Range

New to the NOV Mono Explosives Range are the XG gear pumps, built specifically for the requirements of the explosives industry:-

- Local assembly/manufacture
- Stainless Steel construction
- Quality Assurance for consistent components
- ISO9001:2008 compliant
- Off the shelf availability
- Less moving parts than conventional pumps
- Top or *bottom drive for convenience
- Reversible for clearing lines



Materials of Construction



RPM	Head			Flow			Power	
	kPa	Bar	PSI	l/m	m ³ h	GPM	kW/h	HP/h
300	800	8	116	425	25	112	12.3	16.5
	100	1	14	547	33	144	2.9	3.9
250	800	6	87	349	21	92	10.2	13.7
	100	1	14	449	27	119	2.4	3.2
185	800	6	97	276	17	73	7.6	10.2
	100	1	14	355	21	94	1.8	2.4

Pump Code:- XG13LSA1RHH

To find out more about our range of explosive pumping solutions please call us on 1800 333 138

*Bottom drive standard